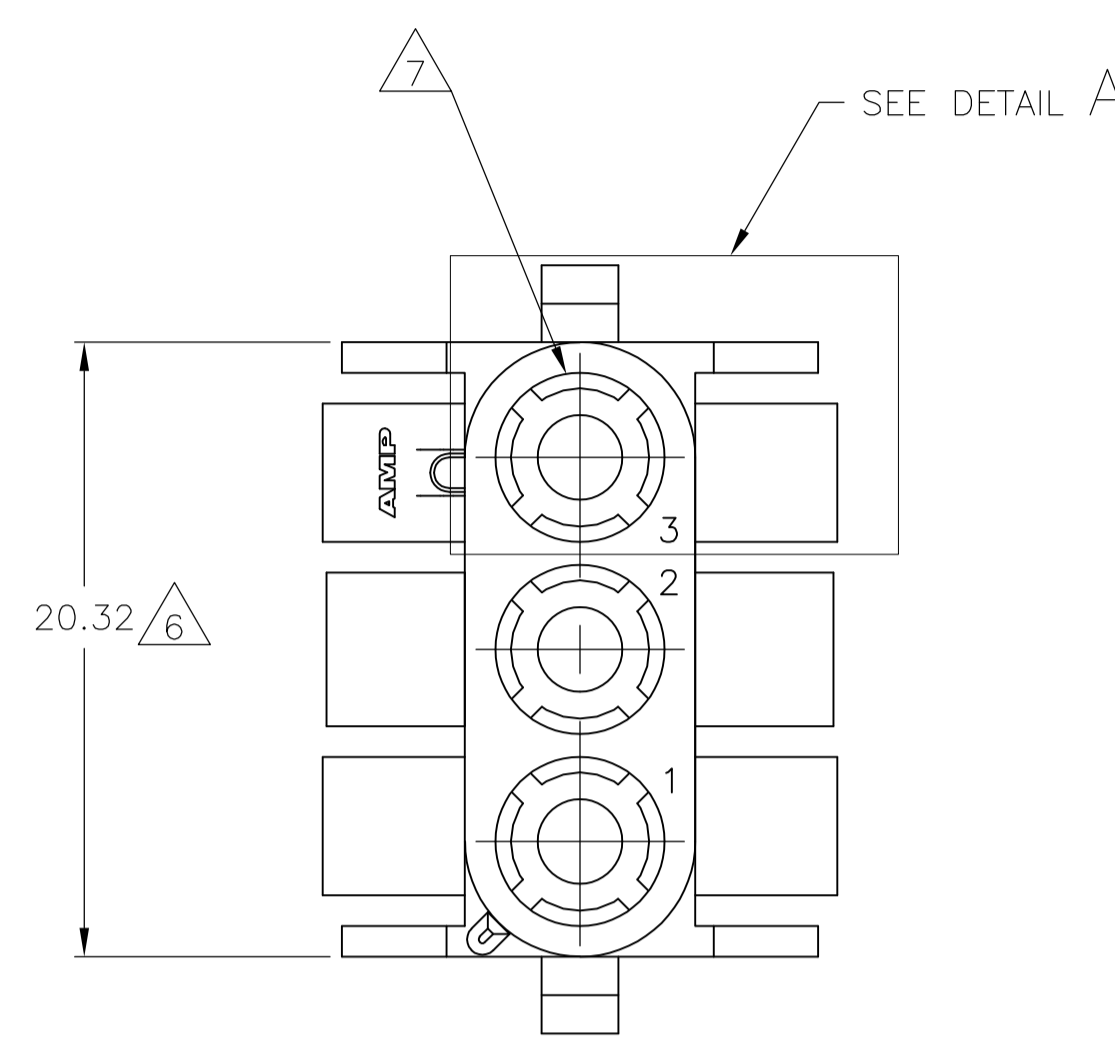
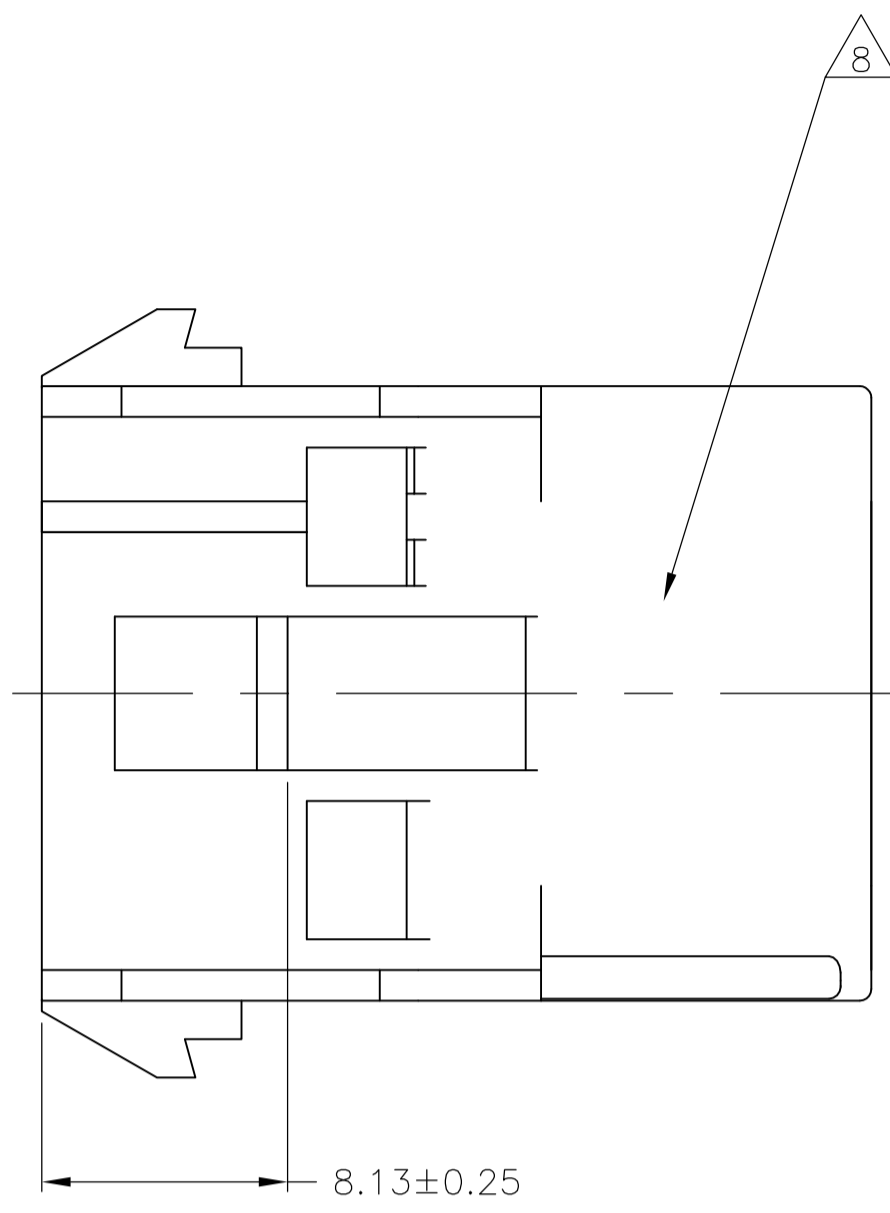
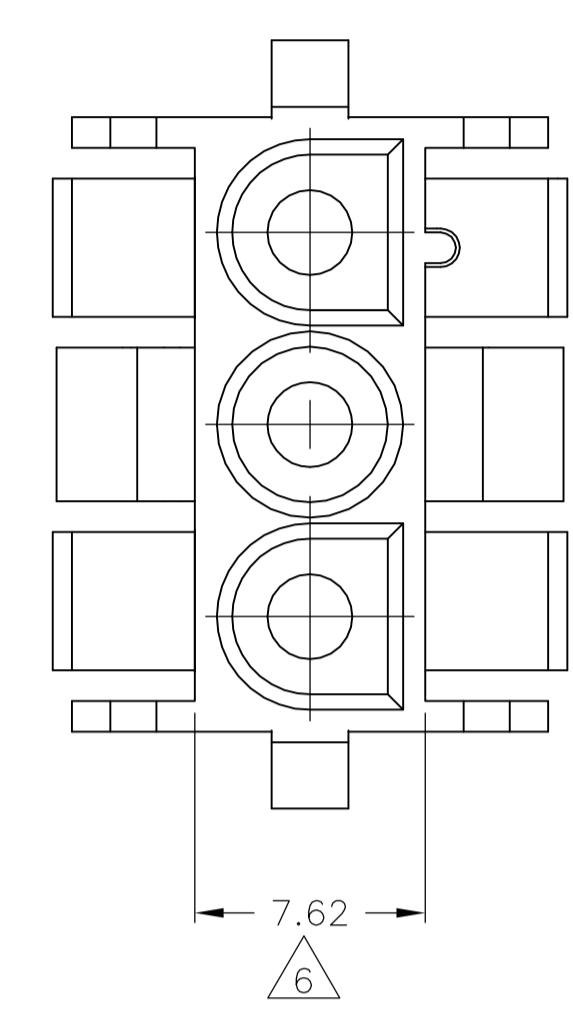
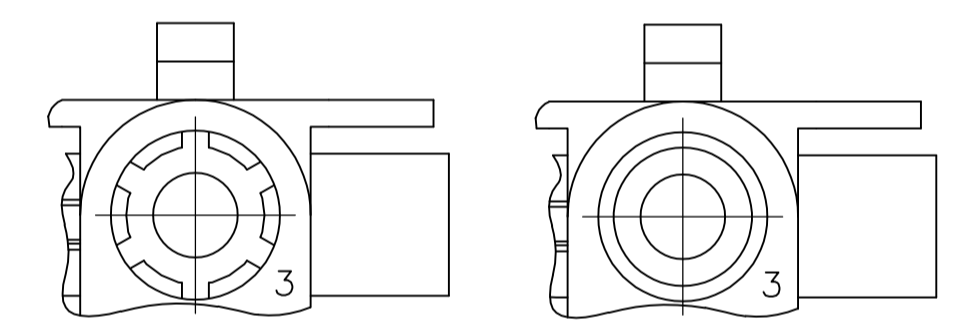


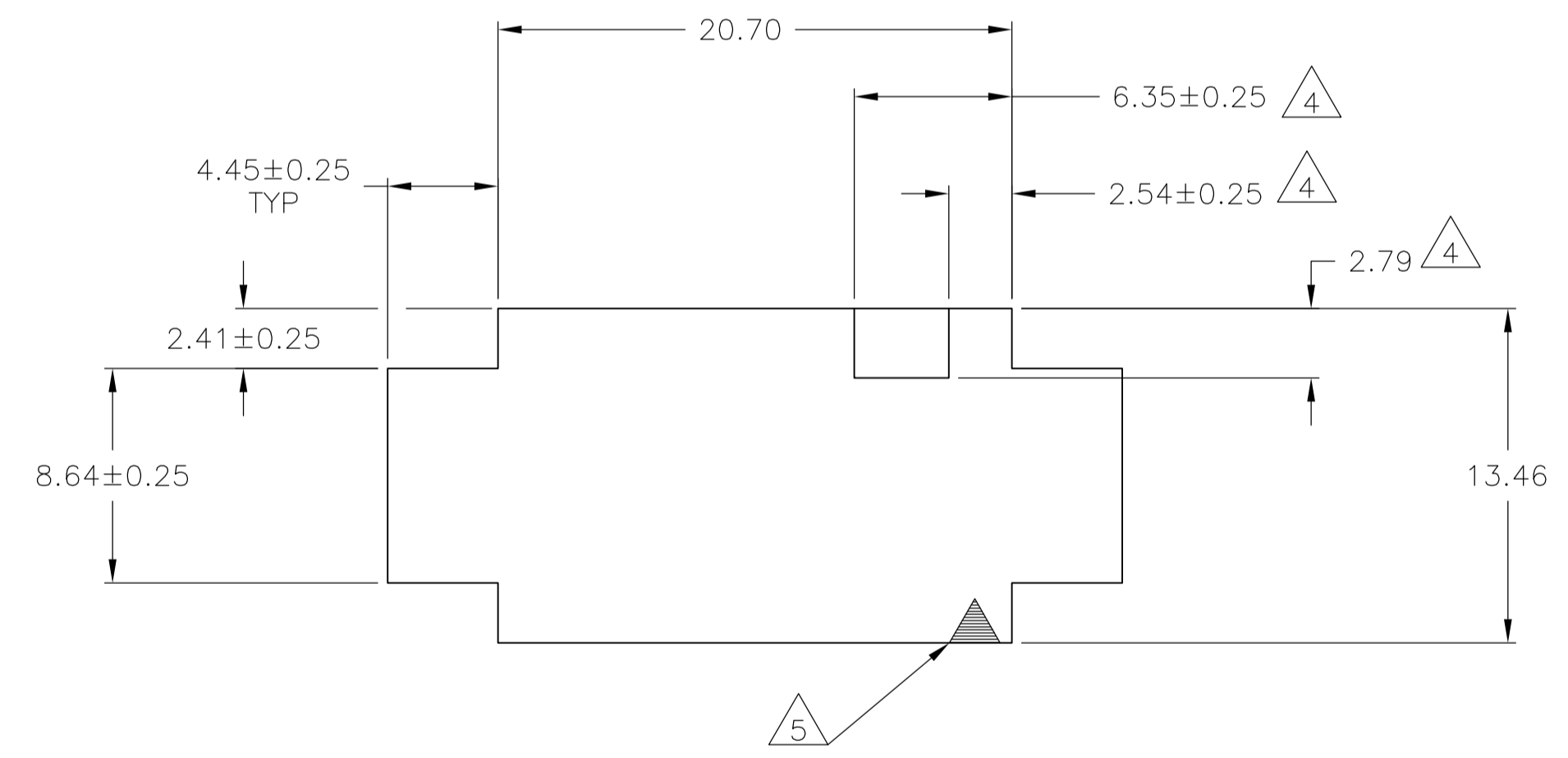
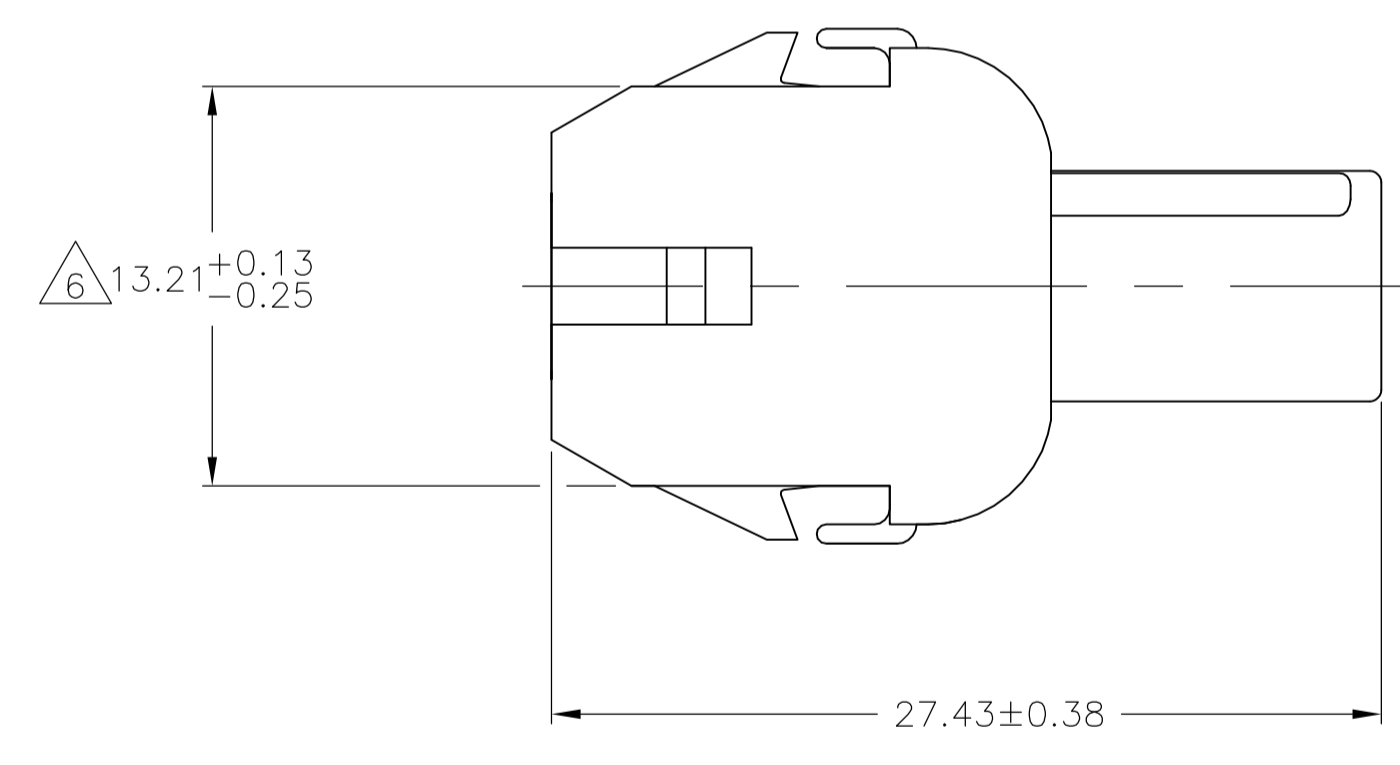
LOC	DIST	REVISIONS			
CM	00	REV	DESCRIPTION	DATE	BY
		AN2	REVISED PER ECO-11-004587	11MAR11	RK HMR
		AN3	REVISED PER ECR-14-002588	06MAR14	AV KD



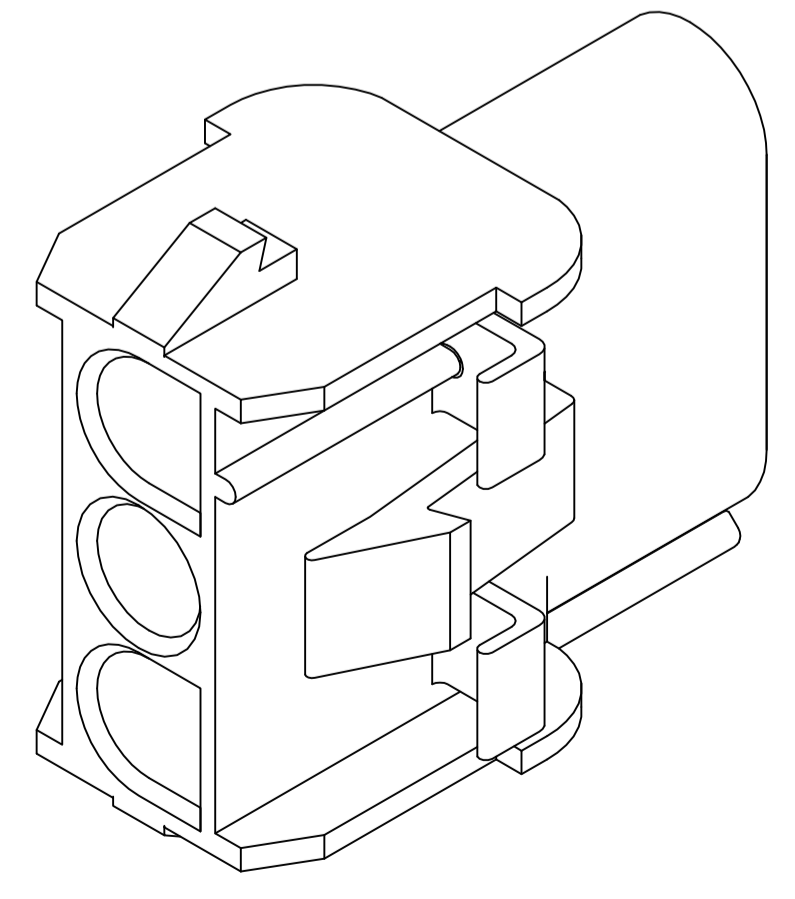
1. MATES WITH APPROPRIATE UNIVERSAL MATE-N-LOK™ PLUG.
2. RECOMMENDED PANEL THICKNESS 0.76 - 2.29.
3. PANEL MUST BE PUNCHED SO THAT THE HOUSING ENTERS THE PANEL IN THE SAME DIRECTION AS THE PUNCH.
4. OPTIONAL FOR KEYING HOUSING IN PANEL.
5. CIRCUIT NUMBER 1 LOCATION.
6. DIMENSION INDICATED IS AS MOLDED. ADDITIONAL GROWTH DUE TO SUBSEQUENT MOISTURE ABSORPTION MAY OCCUR.
7. FOUR RIBS EQUALLY SPACED, NO SPECIFIC ORIENTATION, NO RIBS OR SIX RIBS EQUALLY SPACED, NO SPECIFIC ORIENTATION, OPTIONAL.
8. UNDERWRITERS RECOGNIZED COMPONENT LOGO AND CSA CERTIFICATION LOGO TO BE LOCATED ONCE EACH ON SIDE OF HOUSING.
9. OBSOLETE PARTS: OBSOLETE CIS STREAMLINING PER D.RENAUD/D.SINISI



DETAIL A  
OPTIONAL CONSTRUCTIONS



RECOMMENDED PANEL CUT OUT



3-DIMENSIONAL MODEL  
NTS

MM	IN	MM	IN
4.45	.175	27.43	1.080
2.79	.110	20.70	.815
2.54	.100	20.32	.800
2.41	.095	13.46	.530
2.29	.090	13.21	.520
0.76	.030	8.64	.340
0.38	.015	8.13	.320
0.25	.010	7.62	.300
0.13	.005	6.35	.250
MM	IN	MM	IN

CONVERSION TABLE

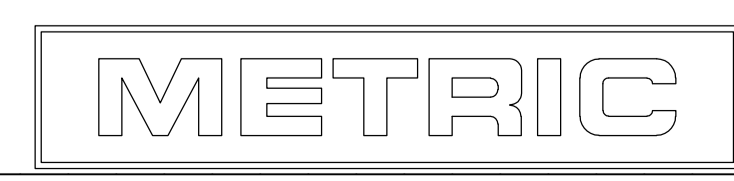
BLACK	1-480701-9
GRAY	1-480701-8
BLUE	1-480701-6
GREEN	1-480701-5
YELLOW	1-480701-4
ORANGE	1-480701-3
RED	1-480701-2
BROWN	1-480701-1
NATURAL	1-480701-0
COLOR	PART NO.

**OBsolete**

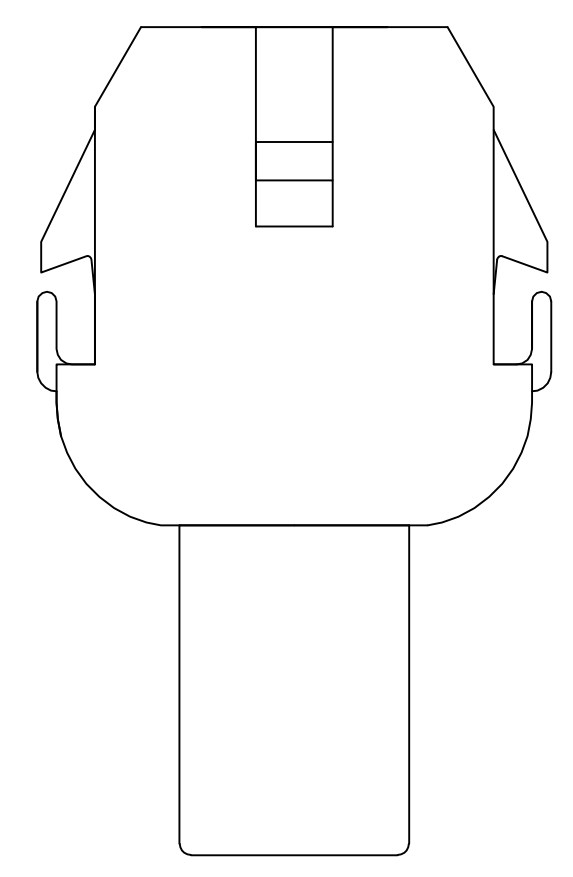
THIS DRAWING IS A CONTROLLED DOCUMENT.

DIMENSIONS:	TOLERANCES UNLESS OTHERWISE SPECIFIED:	DIN K. WHITAKER 28JUL2004	NAME
mm	0. PLC ± -	CHK S. RIDGILL 28JUL2004	CAP, 3 CIRCUIT, UNIVERSAL MATE-N-LOK(TM)
	1. PLC ± 0.13	APVD S. RIDGILL 28JUL2004	SIZE CASE CODE DRAWING NO
	2. PLC ± -		A1 00779 480701
	3. PLC ± -		RESTRICTED TO
	4. PLC ± -		—
	ANGLES ± 0°30'		
MATERIAL NYLON, UL94V-2	FINISH -	WEIGHT -	CUSTOMER DRAWING

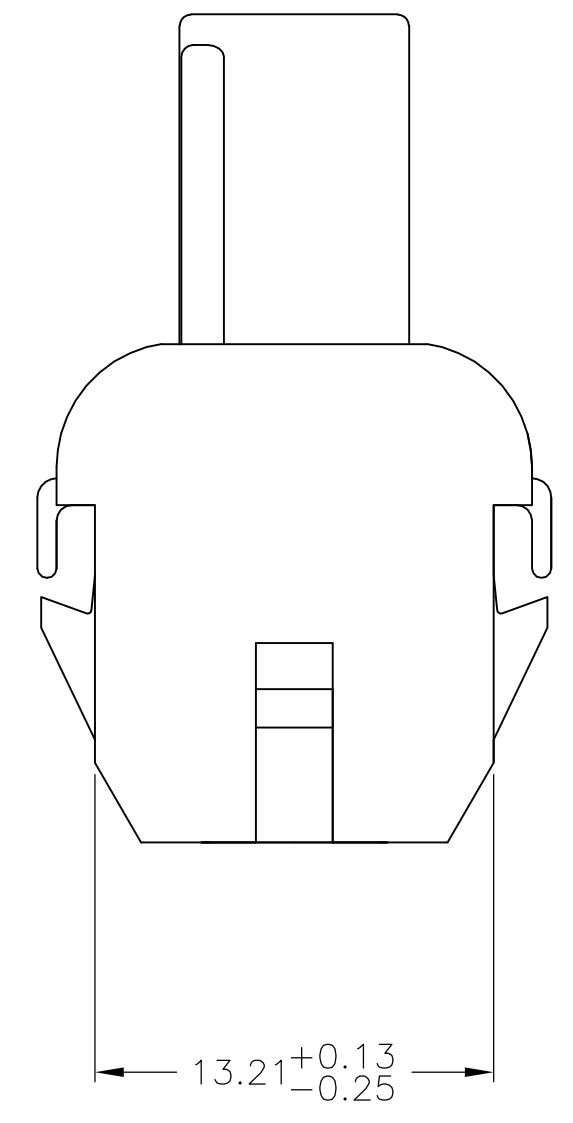
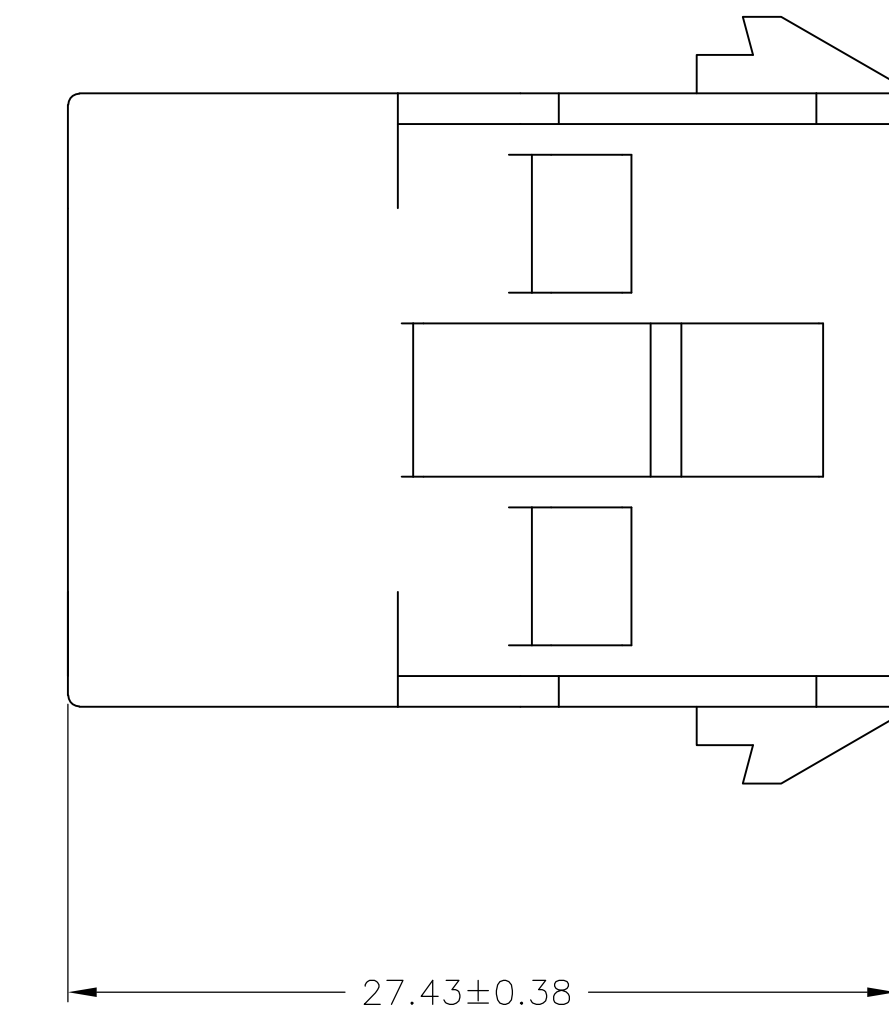
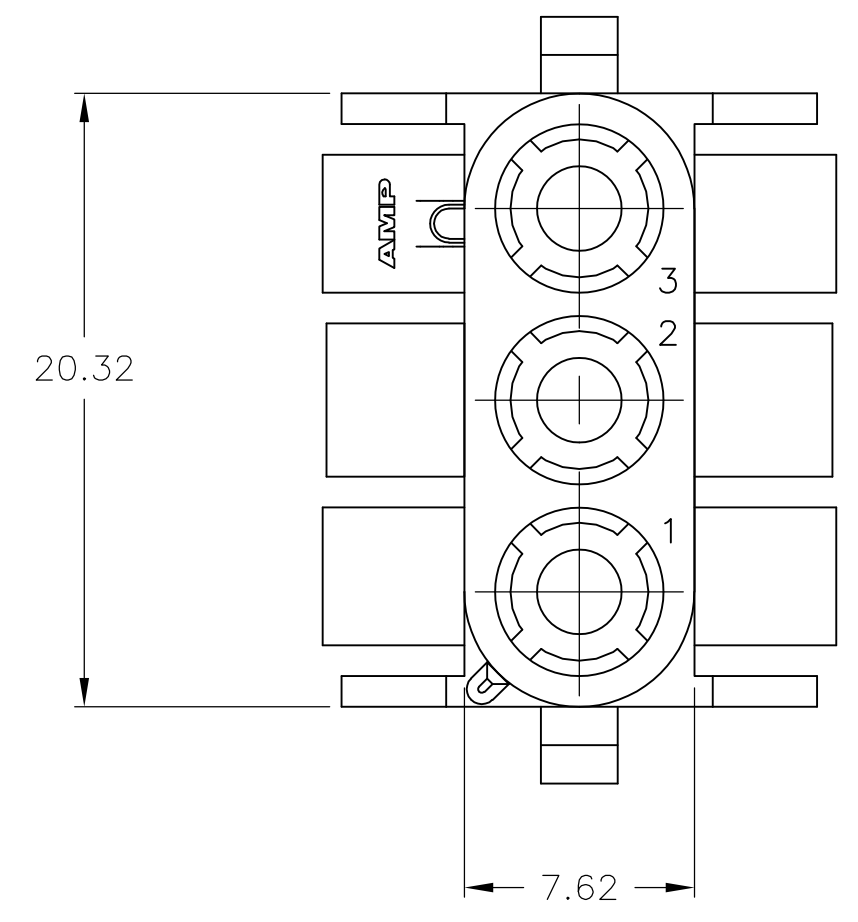
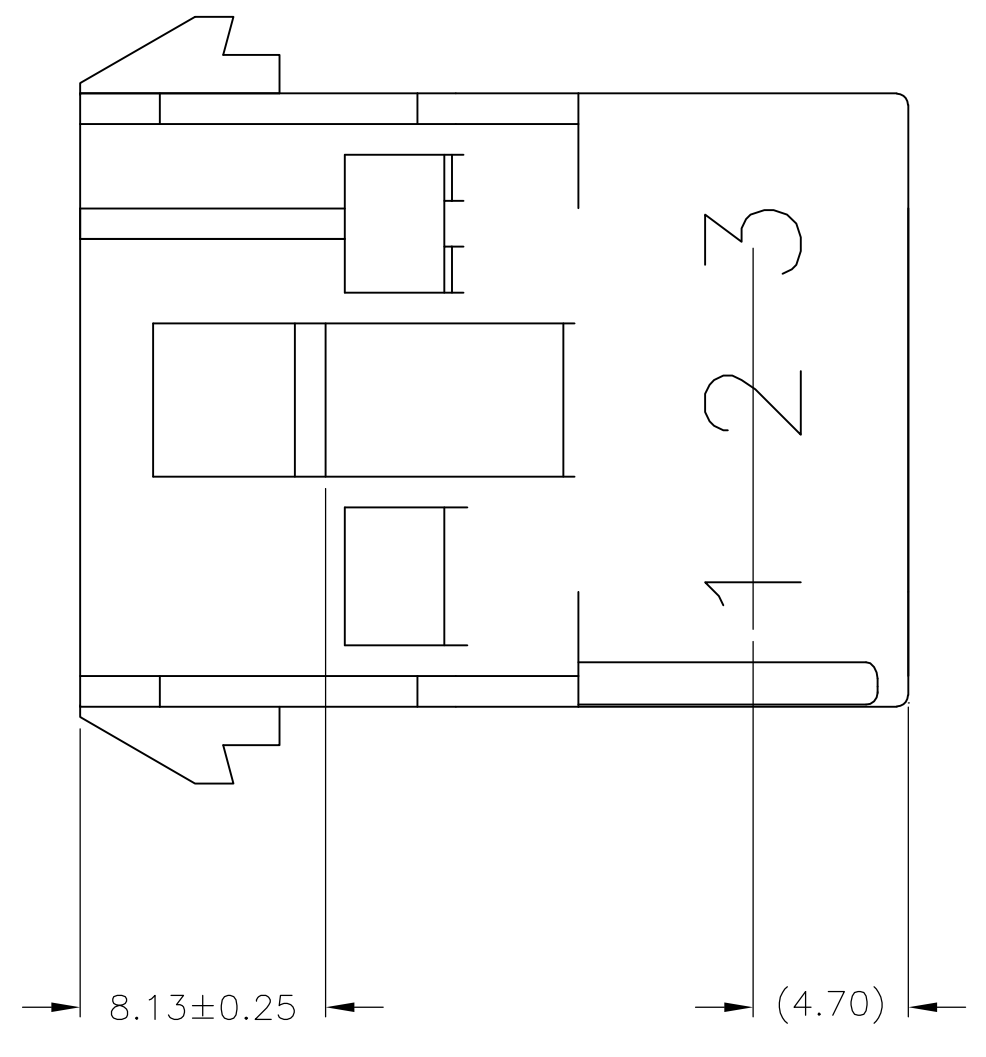
SCALE 4:1 SHEET 1 OF 2 REV AN3



LOC		DIST		REVISIONS			
IF	LTR	DESCRIPTION	DATE	DRN	APPR		
-	-	SEE SHEET 1	-	-	-	-	-



1. STAMP NUMBERS 3.18 HIGH AT WIRE END OF HOUSING (12 POINT DAVID TYPE).
2. CHARACTERS TO BE STAMPED ON HOUSING IN A MANNER AS TO BE READ FROM WIRE END ONLY.
3. VIOLET, BLACK, BROWN AND BLUE COLORED BLOCKS TO BE STAMPED WITH WHITE CHARACTERS. ALL OTHER COLORED BLOCKS TO BE STAMPED WITH BLACK CHARACTERS.



MM	IN	MM	IN
5.59	.220	-	-
4.70	.185	27.43	1.080
3.18	.125	20.32	.800
0.38	.015	13.21	.520
0.25	.010	8.13	.320
0.13	.005	7.62	.300

CONVERSION TABLE

NATURAL	2-480701-0
COLOR	PART NO



THIS DRAWING IS A CONTROLLED DOCUMENT.

DW	K. WHITAKER	28/JUL/2004
CHK	S. RIDGILL	28/JUL/2004
APP'D	S. RIDGILL	28/JUL/2004

NAME: CAP, 3 CIRCUIT, UNIVERSAL MATE-N-LOK(TM)

PRODUCT SPEC: -  
 APPLICATION SPEC: -

SIZE: A1 CAGE CODE: 00779 DRAWING NO: 480701

MATERIAL: NYLON, UL94V-2 FINISH: -

WEIGHT: -

CUSTOMER DRAWING SCALE: 4:1 SHEET: 2 OF 2 REV: AN2

